

JMS561U

**SuperSpeed USB to Dual SATA Gen3 Ports Bridge
and SATA Copier**

Product Brief

Revision 0.1.0

1. Overviews

1.1 FUNCTION OVERVIEW

JMicron JMS561U is a Supper Speed to Dual SATA GenIII Ports bridge chip with specific feature: high performance stand alone CLONE function. It integrated 2 independent SATA channels and a micro-processor. With proper setting, the chip can be configured as 1 : 2 Serial ATA III Port Multiplier or hardware 1 : 1 CLONE function. The JMS561U is able to reach a data transmission rate Up to 1000GB/hour or 300MB/sec copy performance.

1.1.1 FEATURES

Complies with Serial ATA International Organization: Serial ATA Revision 3.1

Complies with Universal Serial Bus 3.0 Specification Revision 1.0

Complies with USB Mass Storage Class Bulk-Only Transport (BOT) Rev. 1.0 Specification

Complies with USB Attached SCSI Protocol (UASP) Rev. 1.0 Specification

Supports USB Super-Speed/High-Speed/Full-Speed Operation

Supports USB 2.0/USB 3.0 power saving mode

Supports multi LUNs for USB 2.0/USB 3.0

Support 1 to 1 HDD Copy feature

Up to 1000GB/hour or 300MB/sec Copy performance

Physical sector based copy

Independent Clone system operation without host computer

Easy copier without any application or driver

HDD size auto-detection while booting up

HDD physical condition auto-detection (SMART info.)

Copy process LED indicator

Support Auto Spin down

Can skip the defective HDD and continue the other HDD processing once the error is happened during Copy

(Optional)

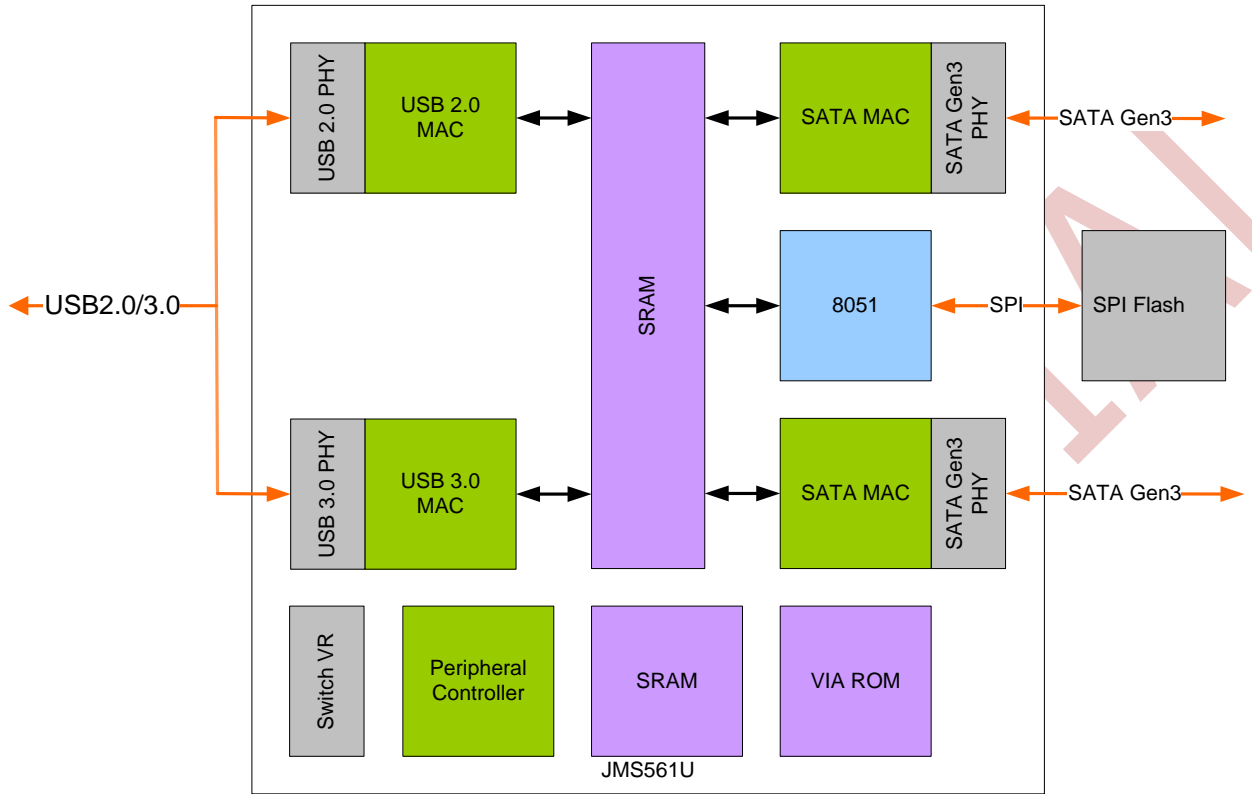
30MHz external crystal

An embedded 3.3V to 1.2V voltage regulator

An embedded 5.0V to 3.3V voltage regulator

QFN 76 package

1.1.2 BLOCK DIAGRAM

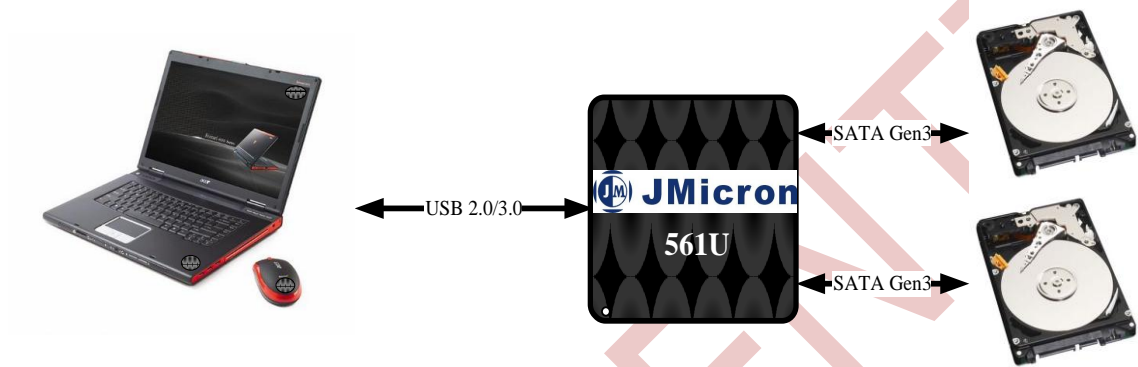


1.2 SUPPORT DEVICES

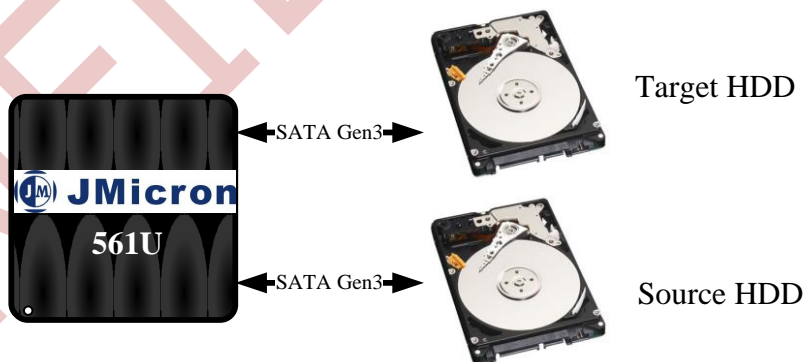
- Hard disk drives

1.3 APPLICATION EXAMPLES

1.3.1 PC Mode: USB 2.0 / USB 3.0 to 2 SATA Gen3 HDDs



1.3.2 Clone Mode: SATA to SATA Copier



2. Package Pin-Out

